

H-K1 USE MANUAL

PRO AUTO SMOKE RING MACHINE

1 BEFORE YOU BEGIN

1.1 What Is Included

H-K1 × 1




Power Cord × 1

Warranty Card × 1

1.2 Unpacking Instructions

Carefully unpack the product immediately and check all the contents to make sure all the parts are complete and in good condition. If the packaging and any parts appear damaged or missing during transportation, please contact the carrier or dealer immediately and return the product in the original packaging.

1.3 Symbols

Symbol	Meaning
Caution	
	Critical information about installation, configuration, or operation. Not following these instructions may make the product not work, cause damage to the product, or cause harm to the operator.
Important	
	Important information about installation or configuration. Failure to comply with this information may keep the product from working correctly.
Information	
	Useful information.

1.4 Disclaimer

The information and specifications contained in this User Manual are subject to change without notice. DJPOWER assumes no responsibility or liability for any errors or omissions and reserves the right to revise or to create this manual at any time.

Copyright © 2025 DJPOWER. All rights reserved

1.5 Safety Notes

Please read the following Safety Notes carefully before working with the product. The notes include important safety information about installation, usage, and maintenance.

1.5.1 Personal Safety

- Always connect the product to a grounded circuit to avoid the risk of electric shock.
- The machine is for adults only, and keep children out of reach of the machine!

1.5.2 Mounting and Rigging

- When using this machine outdoors, please keep it dry and do not expose it to heavy rain or humid environments.

- When the product is moved from an extreme environment (e.g., from cold and dry to warm and humid), the resulting condensation may cause a risk of electric shock. To avoid such failures, make sure that the machine is acclimatized to the surrounding environment before connecting the power supply. Make sure there are no flammable items around the machine during operation.
- Do not mount the product on a flammable surface (linoleum, carpet, wood, paper, carton, plastic, etc.).
- Please always install the product in a location with adequate ventilation, at least 20 in (50 cm) from adjacent surfaces.
- Be sure that no ventilation slots on the product's housing are blocked or clogged by dust. If necessary, remove the dust.

1.5.3 Power and Wiring

- Before connecting the power supply, please carefully check whether the power supply voltage is consistent with the rated voltage of the machine.
- Make sure the power cord is not crimped or damaged.
- Never connect this product to a dimmer pack or rheostat.
- Never disconnect the product from power cord by pulling or tugging on the cord.
- To eliminate unnecessary wear and improve its lifespan, during periods of non-use, please completely disconnect the product from power via breaker or by unplugging it.

1.5.4 Operation

- Do not operate this product if the machine housing or cables are found to be damaged. Have the damaged parts replaced by an authorized technician at once.
- Do not use the product as a space heater.
- Please ensure that there are no flammable items around the machine during operation.
- The maximum ambient temperature is 40 °C. Do not operate the machine in a high temperature environment.
- Do not cover the ventilation slots when operating to avoid internal overheating.
- Do not cover or plug the output nozzle during operation.
- Never carry the product by the power cord or any moving part.
- Always disconnect the product from the power source before cleaning.
- In the event of a serious operating problem, stop using the product immediately.
- This machine does not contain any parts that can be disassembled, repaired or modified by the user. Untrained and unauthorized technicians are not allowed to attempt to repair or modify this machine by themselves to avoid damage or malfunction.
- Use only DJPOWER consumable. Fog fluid PRO-C is recommended.



Keep this User Manual for future use. If you sell the product, be sure that the purchaser receives this document.

2 INTRODUCTION

2.1 Description

H-K1 is the first pro auto smoke ring machine launched by DJPOWER. The machine features patented technology independently developed by DJPOWER (patent number: ZL 202020091343.4 , CN202530264899.7). The body is made of high-strength integrated composite material, making it light, durable, and innovative. Equipped with an innovative vortex ring launcher and a powerful fan, it produces clear, round, long-range, and long-lasting perfect ring-shaped smoke clouds. The smoke ring's maximum output distance is approximately 10 meters and the spray speed is adjustable. It also includes an RGB three-in-one LED light ring, which produces colorful smoke rings and creates a mysterious, dreamy, and visually stunning dynamic artistic effect. H-K1 is suitable for creating a mysterious atmosphere on stage, adding fantasy to various performances and cultural tourism projects, and creating an unprecedented visual feast.

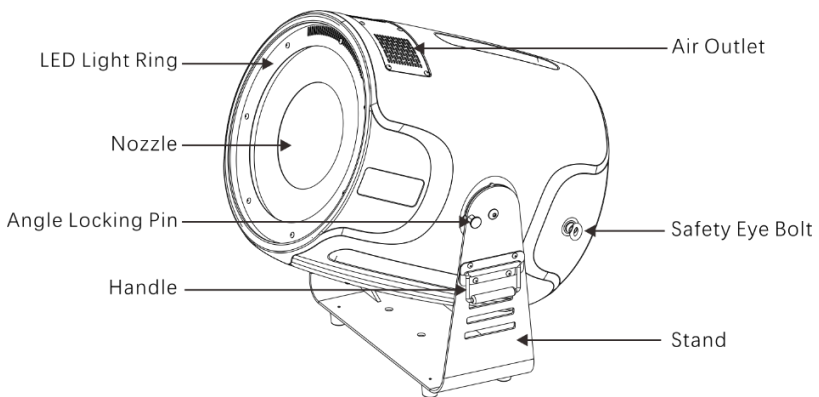
2.2 Features

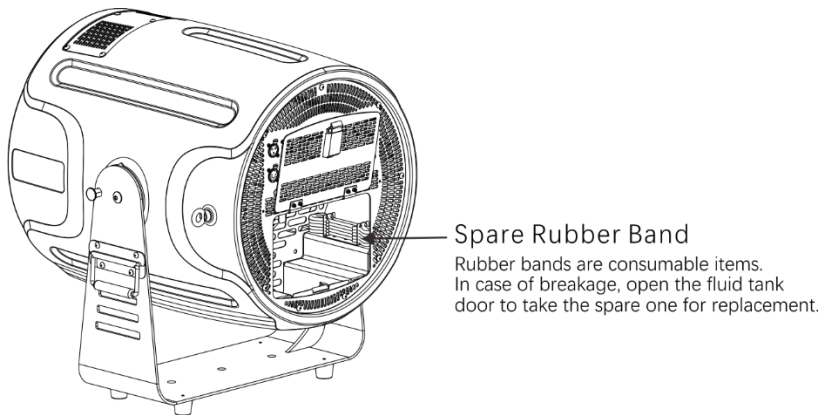
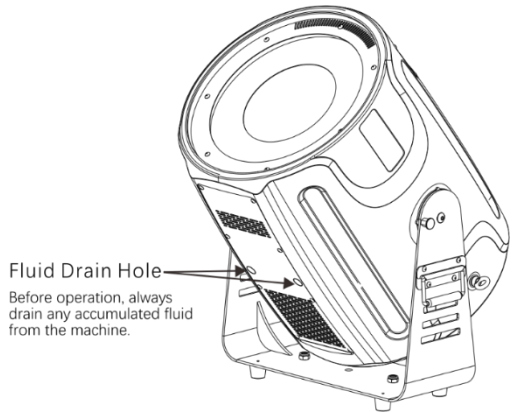
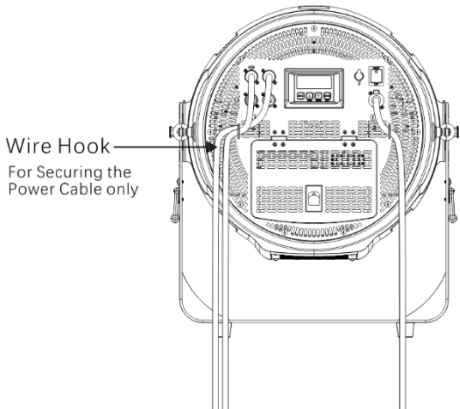
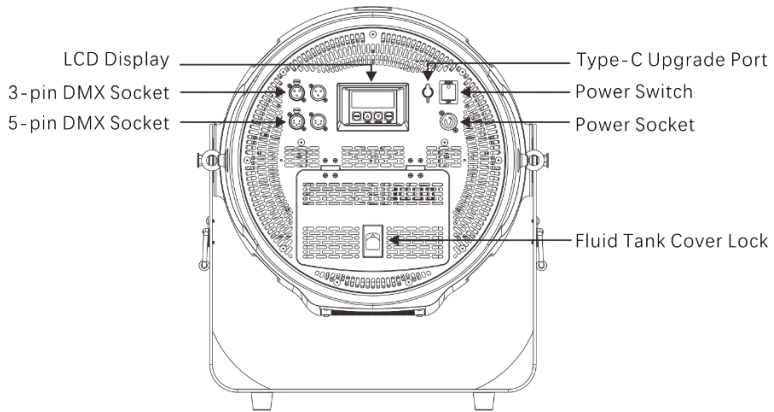
- High-strength integrated composite housing, lightweight, durable;
- Innovative vortex ring launcher: produces clear, dense smoke rings with a long output distance.
- Built-in high-efficiency heating system with fast response speed;
- Equipped with an RGB three-in-one LED light ring, producing colorful smoke rings.

In order to achieve the best effects, please use DJPOWER fog fluid PRO-C.

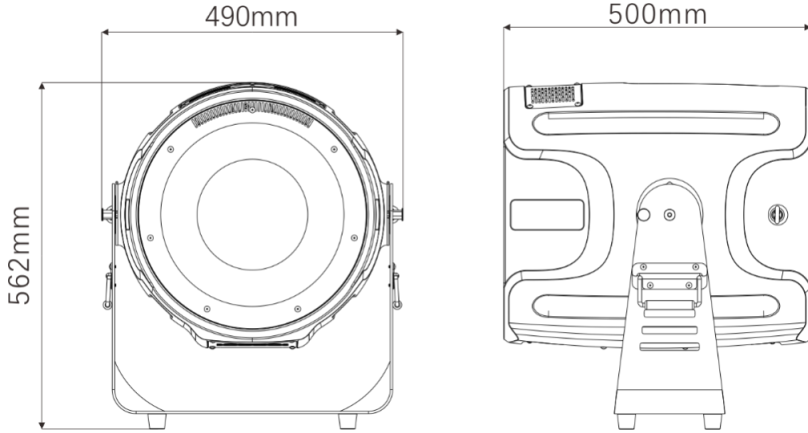
Note: Actual effect may be affected by the operating environment.

2.3 Product Overview





2.4 Product Dimensions



3 TECHNICAL SPECIFICATIONS

	Input Voltage & Rate	AC 100 V-120 V, 50/60 Hz	AC 220 V-240 V, 50/60 Hz
AC Power	Current Limiter Specifications	8 A, 250 V	
	Total Power Consumption	1,100 W	
Heating	Heat Up Time	Appr. 1 min 50 s	
Capacity	Fluid Tank Capacity	2L	
Output	Adjustable Output	√	
	Max Output Distance (No wind)	Appr. 10m	
	Max Fluid Consumption Rate	Appr. 133 min/L	
	Continuous Output	√	
Placement & Mounting	Horizontal	√	
	Inclined	x	
	Sidelong (Do not cover the heat dissipation holes)	x	
	Hang Upside Down	x	
	Rigging & Trussing	√	
Control	On-device Manual Control	√	
	Wireless Control	x	
	Wired Control	x	
	Control Protocol	DMX512	
	DMX Channel Range	3	
Consumable	Consumable	PRO-C	


Weight & Dimensions	Net Weight	20.5 kg
	Gross Weight	24 kg
	Machine Dimensions	490 × 500 × 562 mm
	Packing Dimensions	612 × 612 × 655 mm


4 SETUP

4.1 AC Power

The machine has a fixed voltage power supply and can work with an input voltage of AC 100V-120V, 50/60Hz or AC 220V-240V, 50/60Hz.

To determine the product's power requirements (circuit breaker, power outlet, and wiring), refer to the values listed on the machine's panel label or the machine specification sheet. The listed current rating indicates the product's average current draw under normal conditions.

 **Always connect the product to a protected circuit (circuit breaker or fuse). Make sure the product has an appropriate electrical ground to avoid the risk of electrocution or fire.**

 **Never connect the product to a rheostat (variable resistor) or dimmer circuit, even if the rheostat or dimmer channel serves only as a 0 to 100% switch.**

4.2 DMX Linking

H-K1 supports 3-pin or 5-pin DMX connection, and can be connected to the same console with other DMX-supported devices and controlled separately. Instructions for connecting and configuring this product for DMX operation are in the User Manual.

4.3 Mounting

Before mounting the product, read and follow the safety recommendations indicated in the Safety Notes.

4.3.1 Orientation

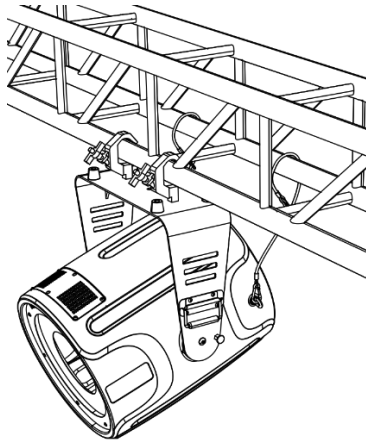
Always mount this product in a safe position and make sure there is adequate room for ventilation, configuration, and maintenance

4.3.2 Rigging

DJPOWER recommends using the following general guidelines when mounting this product

- Make sure the mounting location provides easy access to machine maintenance and machine controls.
- Make sure that the structure or surface onto which you are mounting the product can support the product's weight (see the Technical Specifications).
- When mounting the product on the floor, make sure that the product and cables are away from people and vehicles.
- When using the machine for suspension, suspension hooks and safety ropes are required (optional under an extra cost, consult your sales representative for order).

- When suspending the machine, it must be securely fastened to a truss that can bear the machine's weight via hooks.
- Both sides must be reinforced by threading safety ropes through the safety eye bolts (as shown in the following figure).



5 OPERATION

5.1 Preparing for Operation

To prepare the H-K1 for operation, perform the following steps:

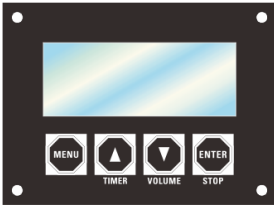
- After checking that the machine and all the parts are intact and complete, position the machine on flat, unlock the fluid tank cover lock, and remove the fluid tank.
- Carefully pour in PRO-C fluid, and then place the fluid tank into the machine. Note that any damage caused by the use of other fluid is not covered under the warranty.
- Double-check the power supply specifications, connect the power cord, and ensure it is plugged into a grounded outlet.
- Turn on the power switch, and the machine will immediately start heating up; "Heating Up" shows on the display during the heating-up process. Once the machine has completed heating, the LCD screen will show "Ready to work."

5.2 On-device Control Mode & Operation

5.2.1 On-device Control Panel

This LCD screen displays in English for easy operation. The condition to satisfy this method is to disconnect the DMX signal (when the DMX signal is connected, this control mode is invalid).


To operate the control panel, please use the four buttons located underneath the LCD display.



Button	Function
<MENU>	Switch menu pages to select a function (Different pages set different functions)
<▲>	Increase/TIMER (Timing output function)
<▼>	Decrease/VOLUME (Fog output function)
<ENTER>	Confirm/Exit, ("STOP" key)

- Refer to the [menu page](#) for the available menu options, including the operating interface displayed and the values that can be selected.
- You can repeatedly press the <MENU> key to the page you want to set until the setting page of the parameter appears. The value that appears on this page is the first value of the parameter.
- Press '▲' or '▼' to set or select the parameter value on the current page. If the value exceeds the parameter range, the first parameter or the previously set value will be displayed.
- Press <MENU> repeatedly to switch menu pages.
- Press <ENTER> at any time can switch between the current menu page and the standby page.

5.2.2 Menu Map

	Display	Description	Value Range
Welcome Pages	Version 1.0 AC 230V 50 Hz	When turn on the machine, the LCD screen displays the program version and working voltage.	
Preparing Pages	Heating >>>>>>	The machine is heating up. The machine operates normally when heated to the preset temperature.	
Standby Page	Ready to work	Heating completed. Machine is ready.	
		The device heats up automatically by default. Once powered on and the power switch is activated, the heating process begins. If the heater temperature has not reached the preset value, the display will show "Heating." Once it reaches the preset temperature, it will display "Ready to work," indicating that the device is fully heated and ready for operation.	
Working Page	Interval: 10s	Press ▲ and ▼ to select the interval time value.	10-200
	Duration: 10s	Press ▲ and ▼ to select the duration time value.	10-200
Setting pages	LED Color: Iridescent	Press ▲ and ▼ to select the light color. There are 10 settings available: Off, Red, Orange, Yellow, Green, Cyan, Blue, Purple, White, and Iridescent.	Off, Red, Orange, Yellow, Green, Cyan, Blue, Purple,

DMX512 Address 1	Press ▲ or ▼ to select DMX starting Address.	1-511
Screen Saver On	Press ▲ and ▼ to select whether to turn on or turn off the LCD backlight protection function. When turn it on, the backlight will turn off after 10 seconds. When turn if off, the backlight will remain on.	ON/OFF
Auto Run Last Setting ON	Press ▲ and ▼ to select to turn on or off to keep the last power off working status.	ON/OFF
RDM Address 512DC01AABCD	Display device's RDM address.	
Working TOPCAT H-K1	When there is no DMX signal connected, press the ▼ button or ENTER can start or stop the machine's output operation.	

Working Page

Interval: 100S Duration: 100S
--

When there is no DMX signal connected, on the setup screen, you can start or stop the machine's timing adjustment function by pressing the ▲ button (which also functions as the TIMER button) or the ENTER button on the control panel.

5.3 DMX Control Mode & Operation

H-K1 can be operated by using a DMX controller.

- Connect the machine to a suitable power outlet.
- Turn on the machine.
- Connect the DMX output of the DMX controller to the DMX input socket on the machine via a DMX signal cable.

After the machine is connected to the DMX signal, the display can only show the DMX address setting page. At this time, you can set and modify the DMX512 address code by pressing the <▲> or <▼> key.

The machine supports 3 DMX channels. The channel table is as follows:

Channel	Function	Value	Description
1	Smoke Ring Output	0-10	Off
		11-255	On
2	Mode Selection	0-127	Single-shot mode
		128-255	Continuous mode

3	LED Color	0-10	Off
		11-37	Red
		38-64	Orange
		65-91	Yellow
		92-118	Green
		119-145	Cyan
		146-172	Blue
		173-199	Purple
		200-226	White
		227-255	RGB

6 TECHNICAL INFORMATION

6.1 Maintenance

1. Please use DJPOWER original consumables to extend the service life of the machine. Do not allow non-professionals to disassemble the machine, and it is strictly forbidden to modify it to avoid danger.
2. Excessive dust and liquid residue accumulation on the machine can reduce its performance and lead to poor heat dissipation. Use an air compressor, vacuum cleaner, or soft brush to remove dust from the machine. The casing can be wiped with a damp cloth.
3. Before storing the machine, replace the fluid with distilled water in the fluid tank and run the machine in cleaning mode to prevent clogging of the heating pipes.



Test and run your DJPOWER ®H-K1 every month to achieve the best performance.

6.2 Storage

6.2.1 Machine Storage

Before storing the machine, please clean and maintain the machine, empty the fluid tank, and keep the storage environment dry.

6.2.2 Trouble Shooting

	Error code	Trigger condition
Error page	Device Error E0	High-temperature protection. Displayed when the temperature is higher than 400°C.
	Device Error E1	Displayed if the heater fails to reach the preset temperature within 8 minutes after being activated.
	Device Error E2	Displayed when no thermocouple is detected. Returns to normal operation after the issue is resolved.

